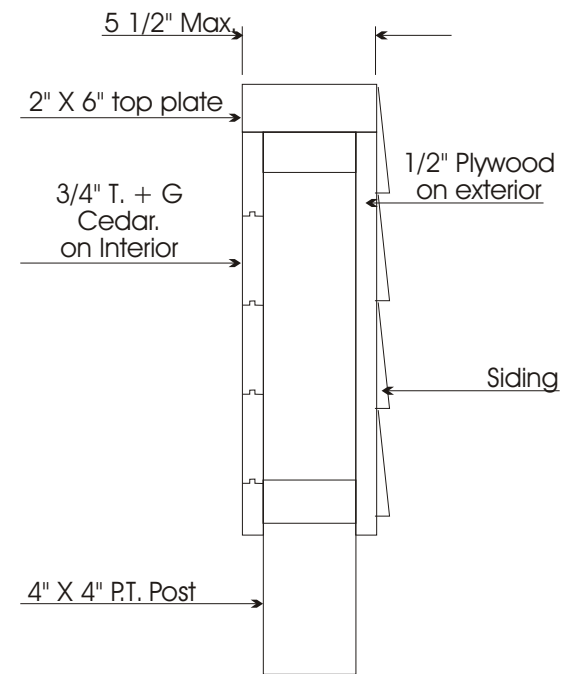
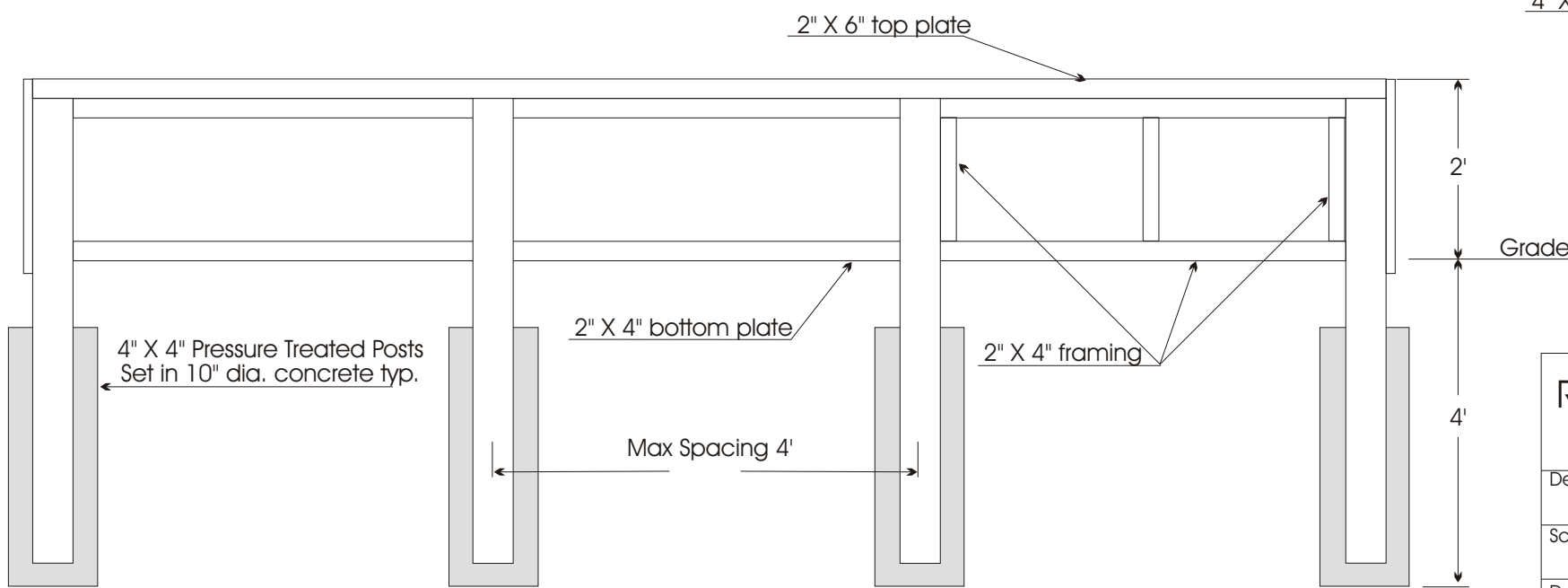


Walls can be insulated with 4" fiberglass.
 Floor area can be concrete pad or patio stones.
 Foundation can also be constructed using cement blocks, or poured concrete and bricks.
 1-1/2" thick styrofoam can be placed underneath floor for insulation.



Wall Crosssection



| | |
|--|---------------------|
| Rogers Custom Greenhouse | |
| Description RCLT-816 - Foundation Plan | |
| Scale N.T.S. | Customer |
| Date May 08, 2007 | File RCLT-816-05-06 |